

- 15" Industrial **MetalCase (VESA) Monitor (4:3)**
- Resolution:
XGA (1024x768)
- **Touch** or **w/o -Touch** version
with USB or RS232 driver interface connection
- Two Power options available:
18 ~ 36V, VDC or **80 ~ 265V, VAC**
- **VESA 100x100 + 200x100**

IMC-150X
Made in ITALY



DISPLAY

Size:	15"
Resolution:	XGA (1024x768)
Aspect Ratio:	4:3
Backlight:	Led
Bright and Contrast:	400 cd/mq 700:1
Colors:	16 M
View Angle:	160° - 140°

FRONT PANEL

Thickness:	6 mm
Graphic:	Black painted steel
Front Panel Type:	MetalCase

TOUCH SCREEN

(Only with Touch Version)

Glass Thickness:	3 mm
Technology:	Resistive 5 wires
Connection Type:	USB 2.0 or RS232

I/O INTERFACE

Video Input:	1x DVI-I 1x VGA (D_SUB 15pin)
USB ports:	1x USB 2.0 or RS232 for Touch Driver (Only with Touch Version)

POWER

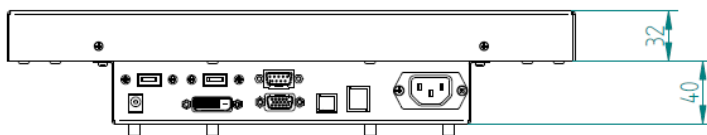
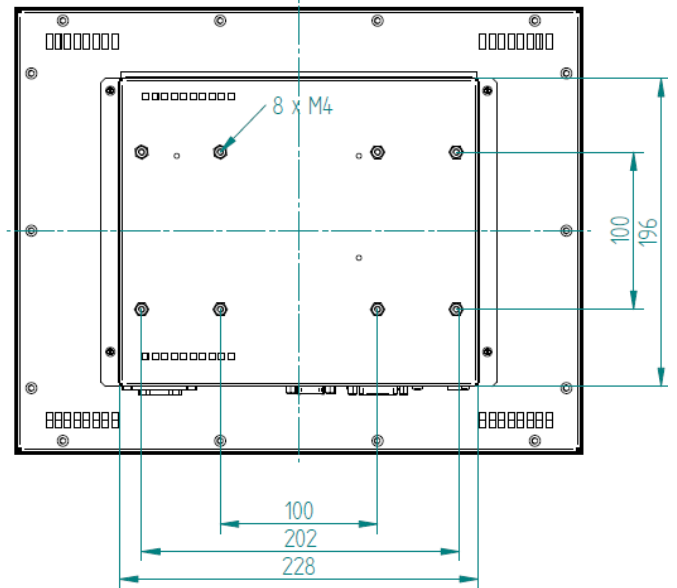
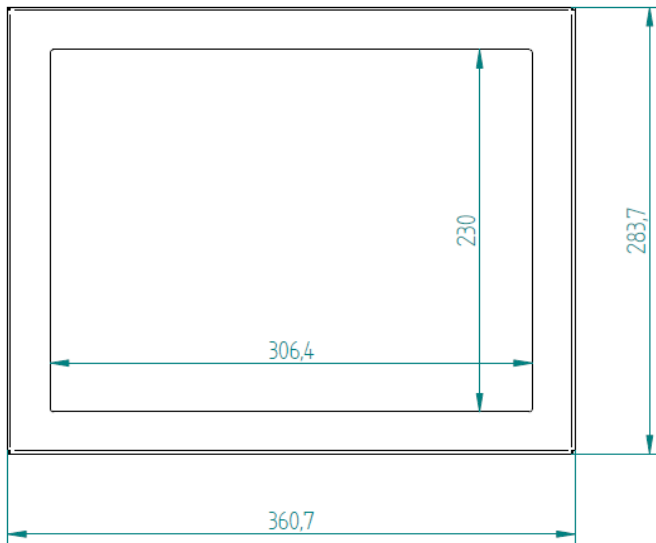
Power in:	18 ~ 36V, VDC Version 80 ~ 265V, VAC Version
Max Power :	12W max

MECHANICAL

Material:	Steel
IP Protection:	IP40
Dimensions:	(W)360,7x(D)283,7x(H)72mm
Weight:	5 Kg
Mounting:	VESA 100x100 + 200x100

ENVIRONMENT

Operating temp.:	0°C ~ 50°C
Storage temp.:	-20°C ~ 70°C
Humidity:	40% ~ 60% Humidity, non-condensing
EMC:	CE, FCC, RoHS, LVD



Accessories Included:

- 1x Power Cable
- 1x VGA Cable or 1x DVI-I Cable
- 1x USB 2.0 Cable

ORDER CODE:

Contact your sales representative for configuration.